

NOTES:

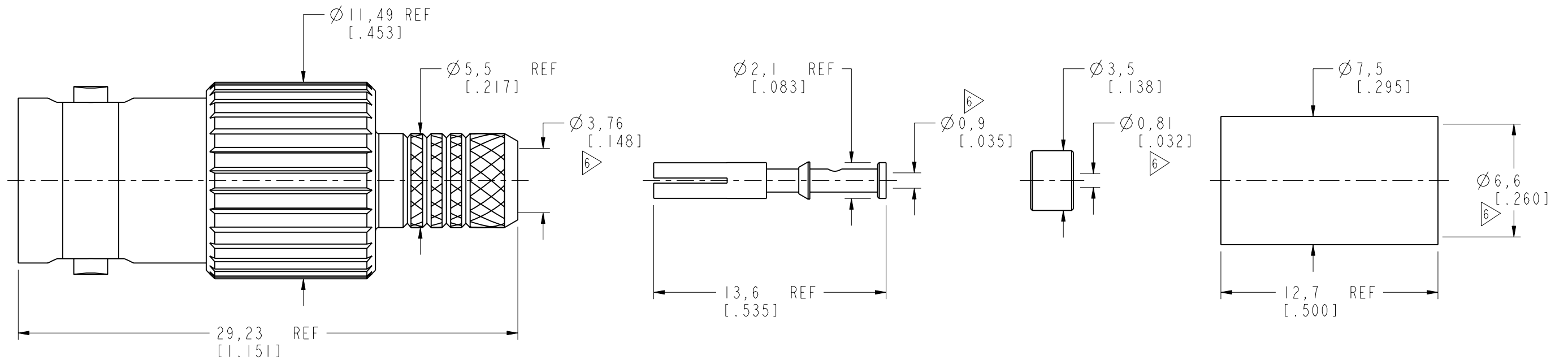
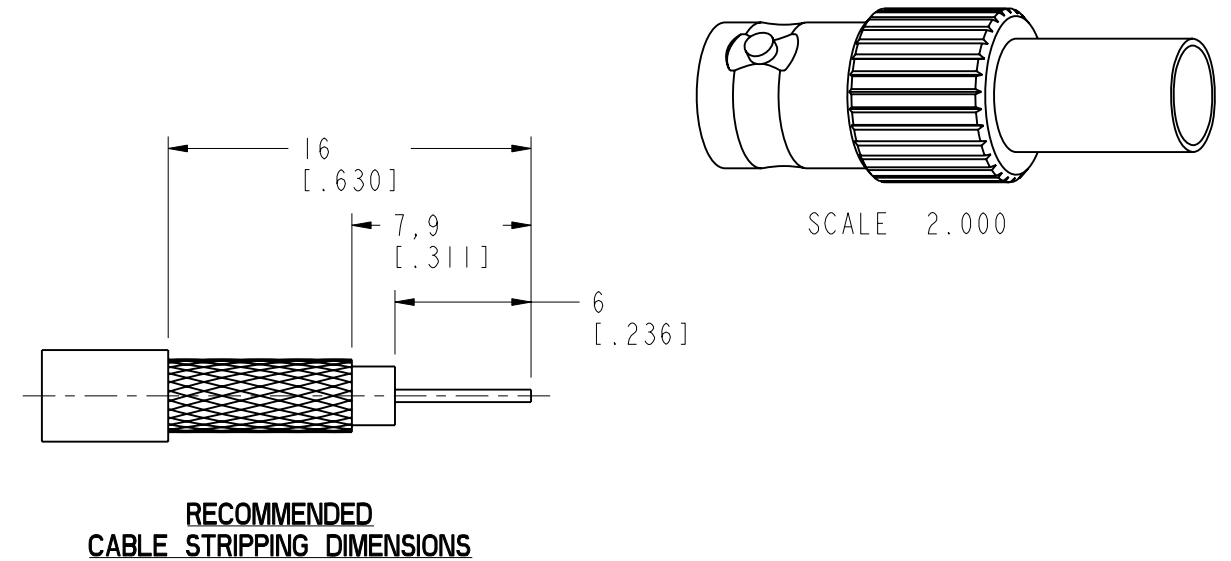
1. MATERIALS AND FINISHES:  
 BODY - BRASS, NICKEL PLATING  
 CONTACT PIN - PHOSPHOR BRONZE, GOLD PLATING  
 INSULATOR - PTFE, NATURAL  
 LOCK RING - BRASS, GOLD PLATING  
 FERRULE - BRASS, NICKEL PLATING
2. ELECTRICAL:  
 A. IMPEDANCE: 75 OHM  
 B. FREQUENCY RANGE: DC - 12 GHz  
 C. RETURN LOSS (VSWR): 20 dB (1.22) DC-6 GHz  
 15 dB (1.43) 6-12 GHz  
 D. DIELECTRIC WITHSTANDING VOLTAGE: 1500 VRMS, MIN.
3. MECHANICAL:  
 A. DURABILITY: 500 CYCLES MIN.  
 B. TEMPERATURE RANGE: -30°C TO +85°C
4. CRIMPED FERRULE  
 HEX. CRIMP SIZE .255"

5. CRIMPED CONTACT PIN  
 HEX. CRIMP SIZE .042"
6. SHOWS CABLE ENTRY DIMENSIONS
7. PACKAGING:  
 A. QUANTITY: SINGLE PACK  
 B. BAG TO BE MARKED: AMPHENOL RF  
 31-70543-12G  
 YYWW

THIRD ANGLE PROJ.

REVISIONS

REV	DESCRIPTION	DATE	ECO	APPR
A	RELEASE TO MFG.	20-Apr-18	07664	SV



**CUSTOMER OUTLINE DRAWING**

ALL OTHER SHEETS ARE FOR INTERNAL USE ONLY

UNLESS OTHERWISE SPECIFIED, DIMENSIONS ARE IN METRIC AND TOLERANCES ARE:  
 <0.5mm ±0.05mm    0.5 - 6mm ±0.1mm    6 - 30mm ±0.2mm    30 - 120mm ±0.3mm    ANGLES ±1°

NOTICE - These drawings, specifications, or other data (1) are, and remain the property of Amphenol corp. (2) must be returned upon request; and (3) are confidential and not to be disclosed to any person other than those to whom they are given by Amphenol Corp. the furnishing of these drawings, specifications, or other data by Amphenol Corp., or to any other person to anyone for any purpose is not to be regarded by implication or otherwise in any manner licensing, granting rights to permitting such holder or any other person to manufacture, use or sell any product, process or design, patented or otherwise, that may in any way be related to or disclosed by said drawings, specifications, or other data.

MATERIAL	
REFERENCE	EAR 7997 AND
CONFIGURATION LEVEL:	In Work
FINISH	

DRAWN	STAR	DATE	23-Apr-18
ENGINEER	SUNDE	DATE	23-Apr-18
APPROVED	S. HSIEH	DATE	23-Apr-18
CAD FILE			

TITLE	
BNC CRIMP JACK FOR BELDEN 4505R CABLE	
SCALE: 4.0:1.0	SHEET 2 OF 2
DWG SIZE B	REV A

Amphenol RF	
www.amphenolrf.com	
DRAWING NO. 31-70543-12G	
ITEM NO. 31-70543-12G	
PART NO. 31-70543-12G	