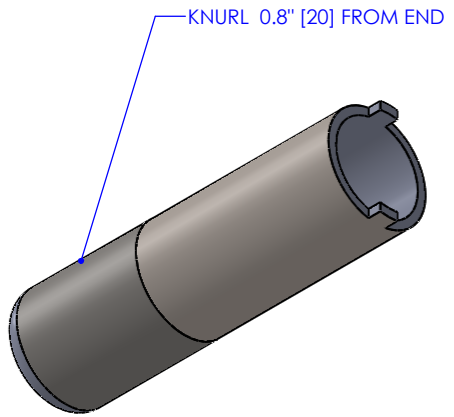
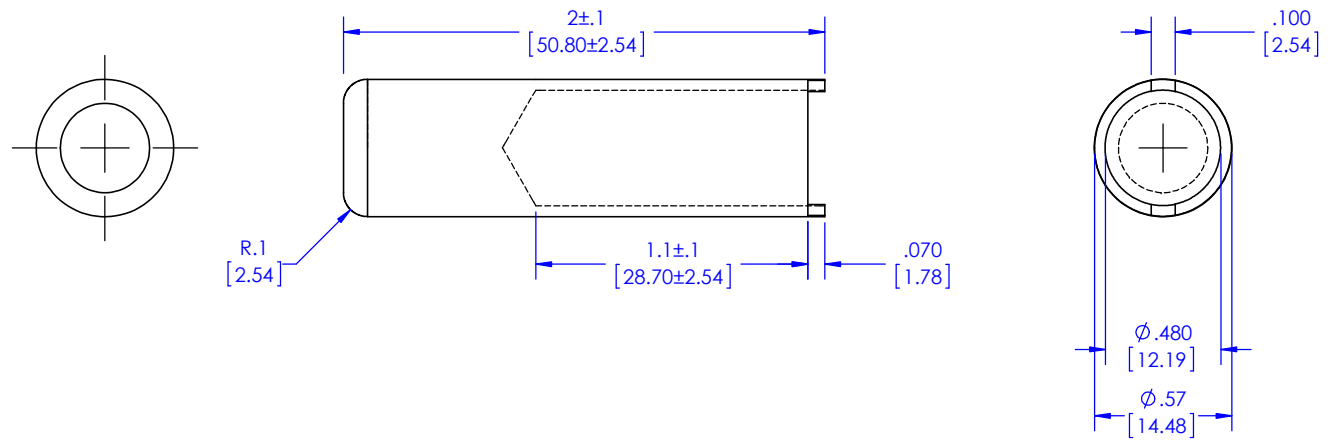


8 7 6 5 4 3 2 1

D
C
B
A

D
C
B
A



NOTES:
 1) MATERIAL: 6061 ALUMINUM
 2) FINISH: 15 μ CLEAR ANODIZE

PROPRIETARY AND CONFIDENTIAL
 THE INFORMATION CONTAINED IN THIS DRAWING IS THE SOLE PROPERTY OF <INSERT COMPANY NAME HERE>. ANY REPRODUCTION IN PART OR AS A WHOLE WITHOUT THE WRITTEN PERMISSION OF <INSERT COMPANY NAME HERE> IS PROHIBITED.

		UNLESS OTHERWISE SPECIFIED:	NAME	DATE
		DIMENSIONS ARE IN INCHES [mm]	DRAWN	RM
		TOLERANCES:	CHECKED	
		FRACTIONAL $\pm 1/4"$	ENG APPR.	
		ANGULAR: $\pm 1^\circ$	MFG APPR.	
		TWO PLACE DECIMAL $\pm 0.015"$	Q.A.	
		THREE PLACE DECIMAL $\pm 0.005"$	COMMENTS:	
		INTERPRET GEOMETRIC TOLERANCING PER:		
		MATERIAL:		
		See notes		
		FINISH		
NEXT ASSY	USED ON			
APPLICATION	DO NOT SCALE DRAWING			

MUELLER

TITLE:

SIZE	DWG. NO.	REV
B	BU-31610-InstallTool	A

SCALE: 1:1 | WEIGHT: | SHEET 1 OF 1

8 7 6 5 4 3 2 1