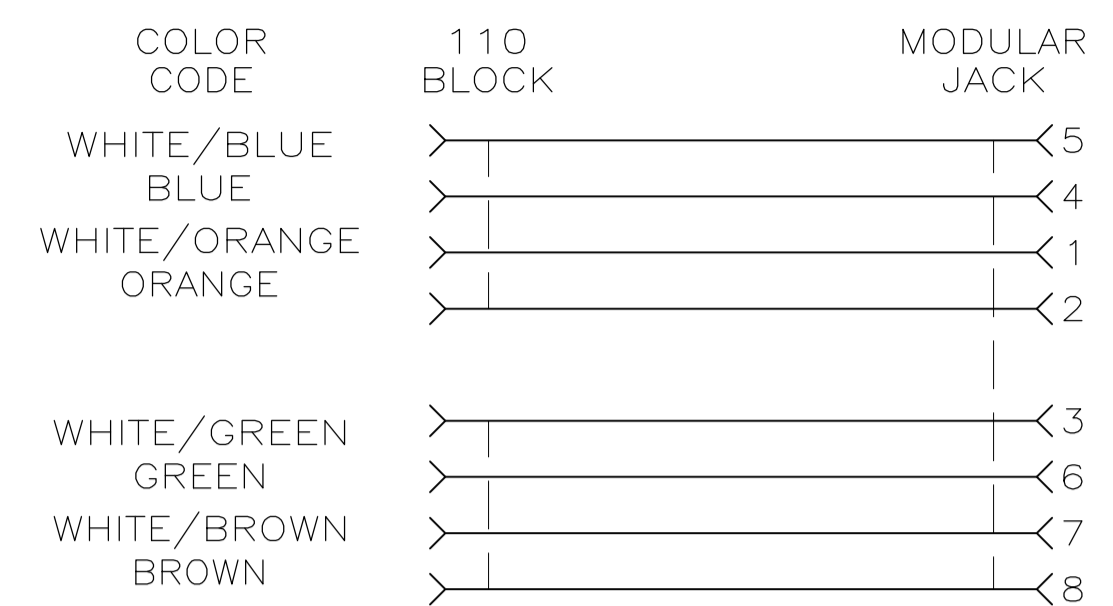
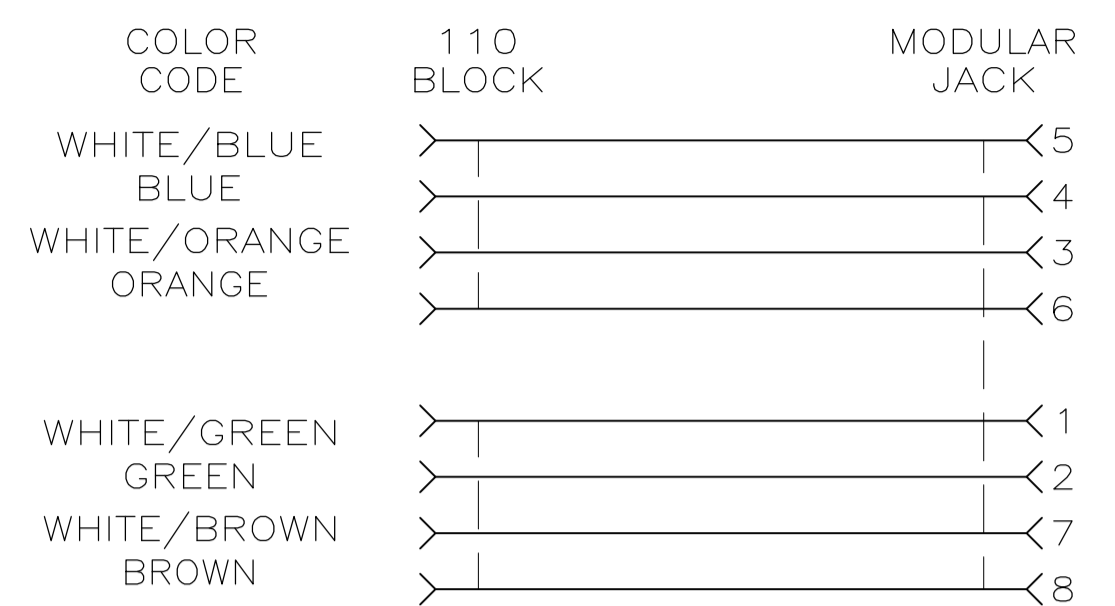
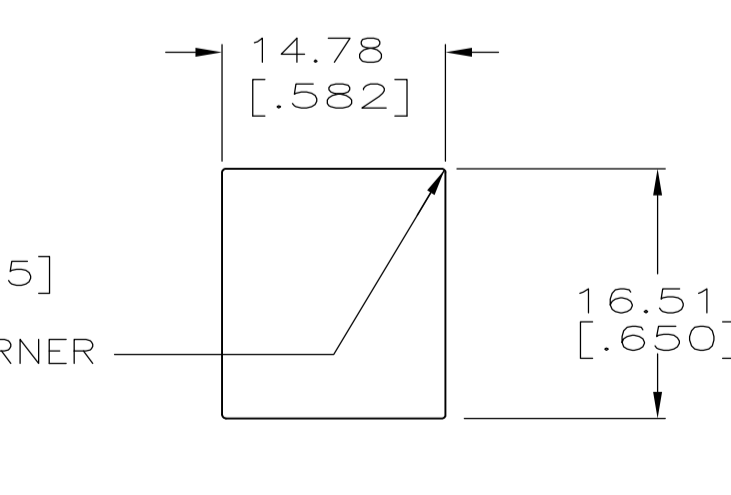
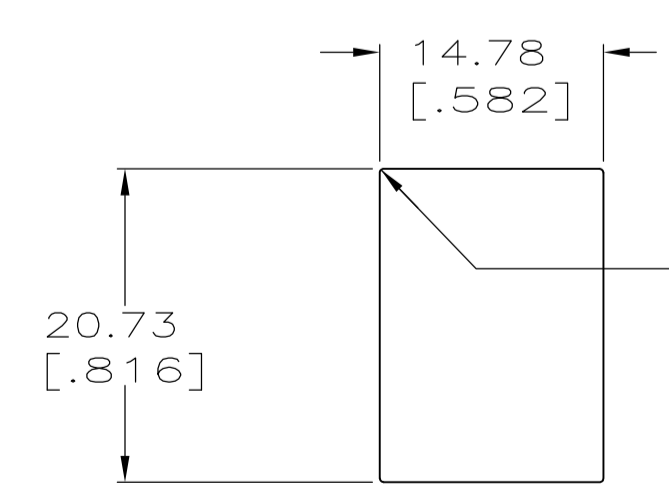
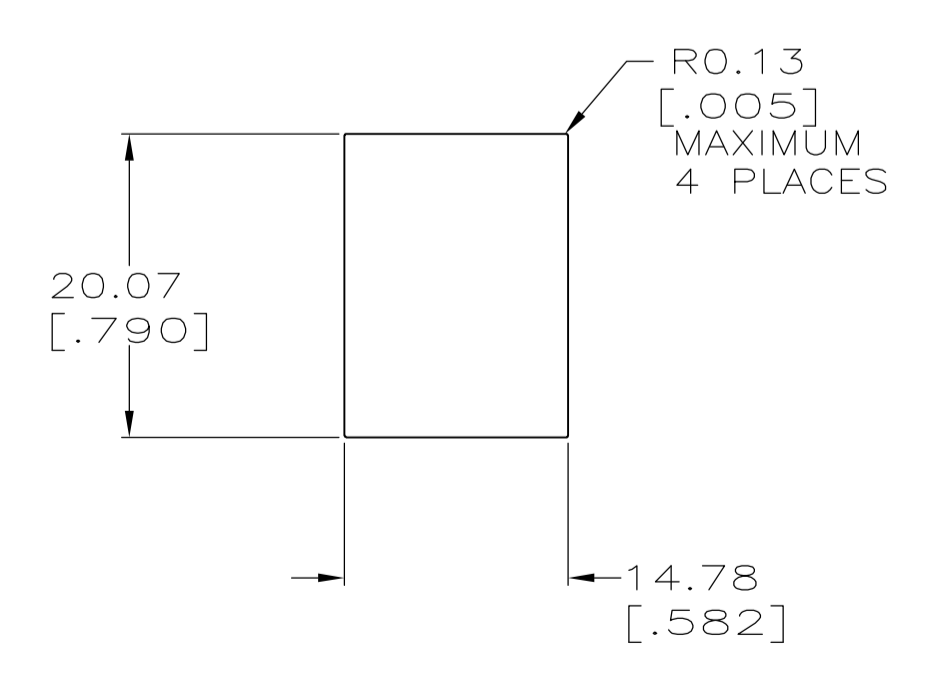
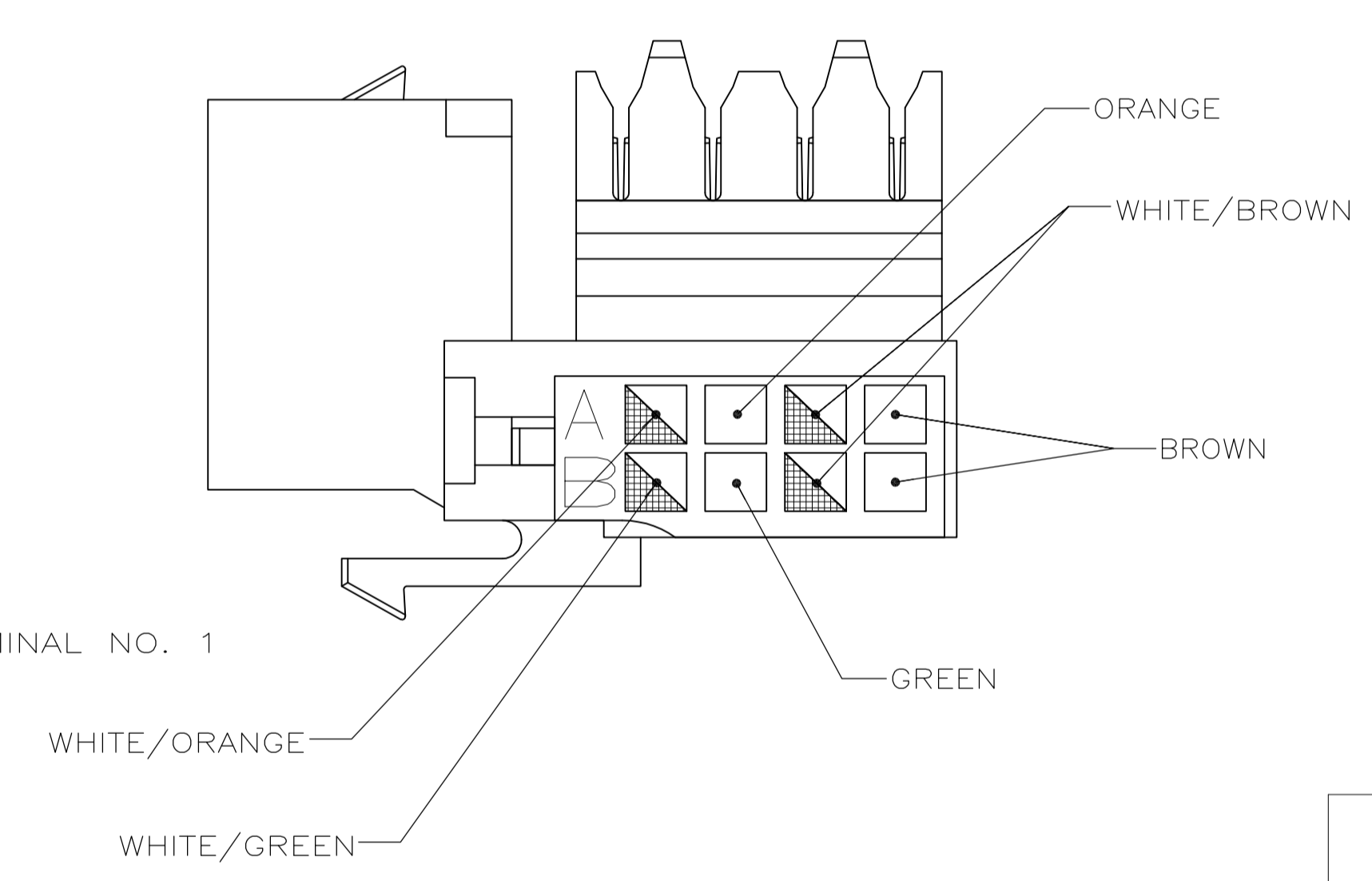
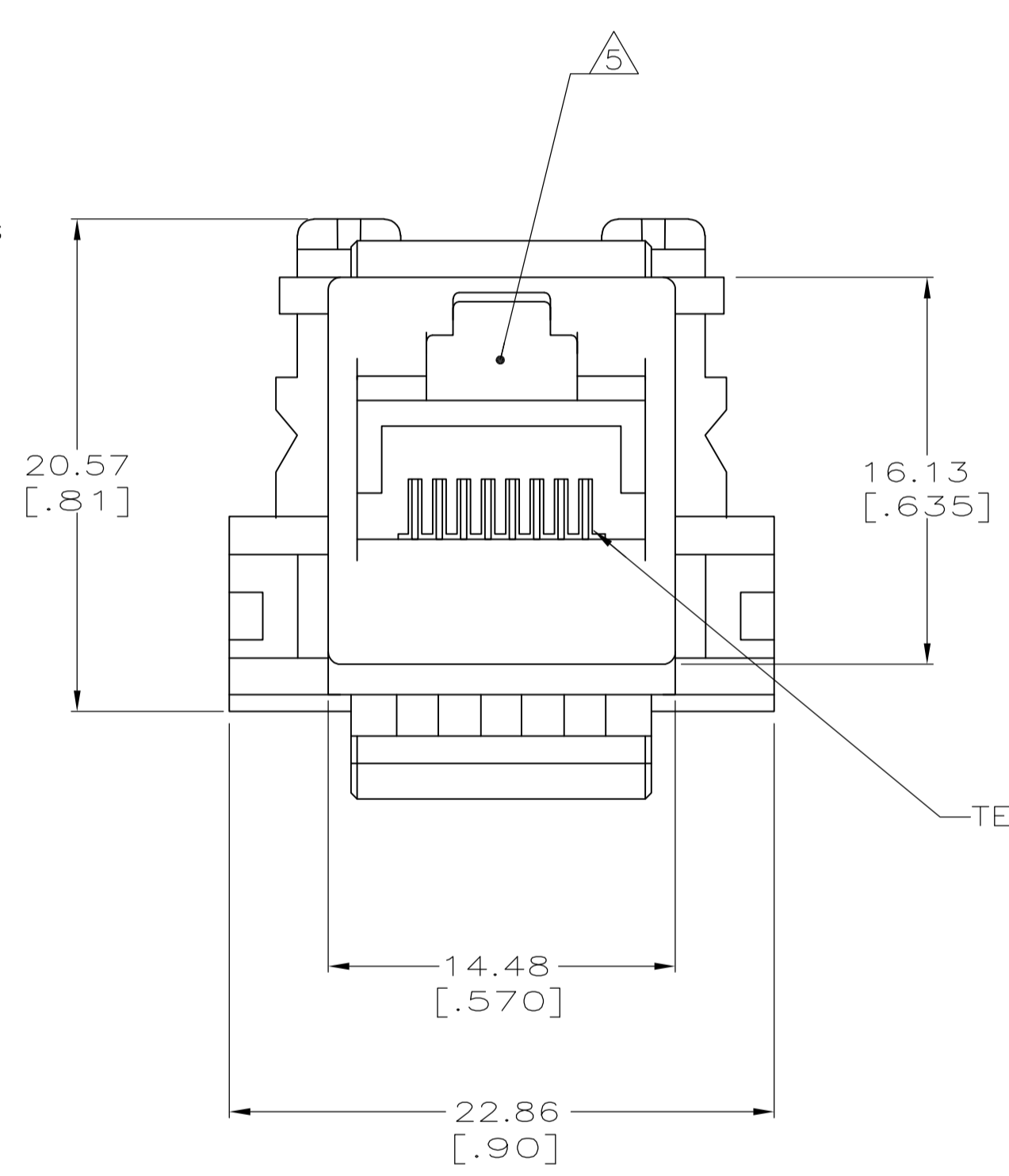
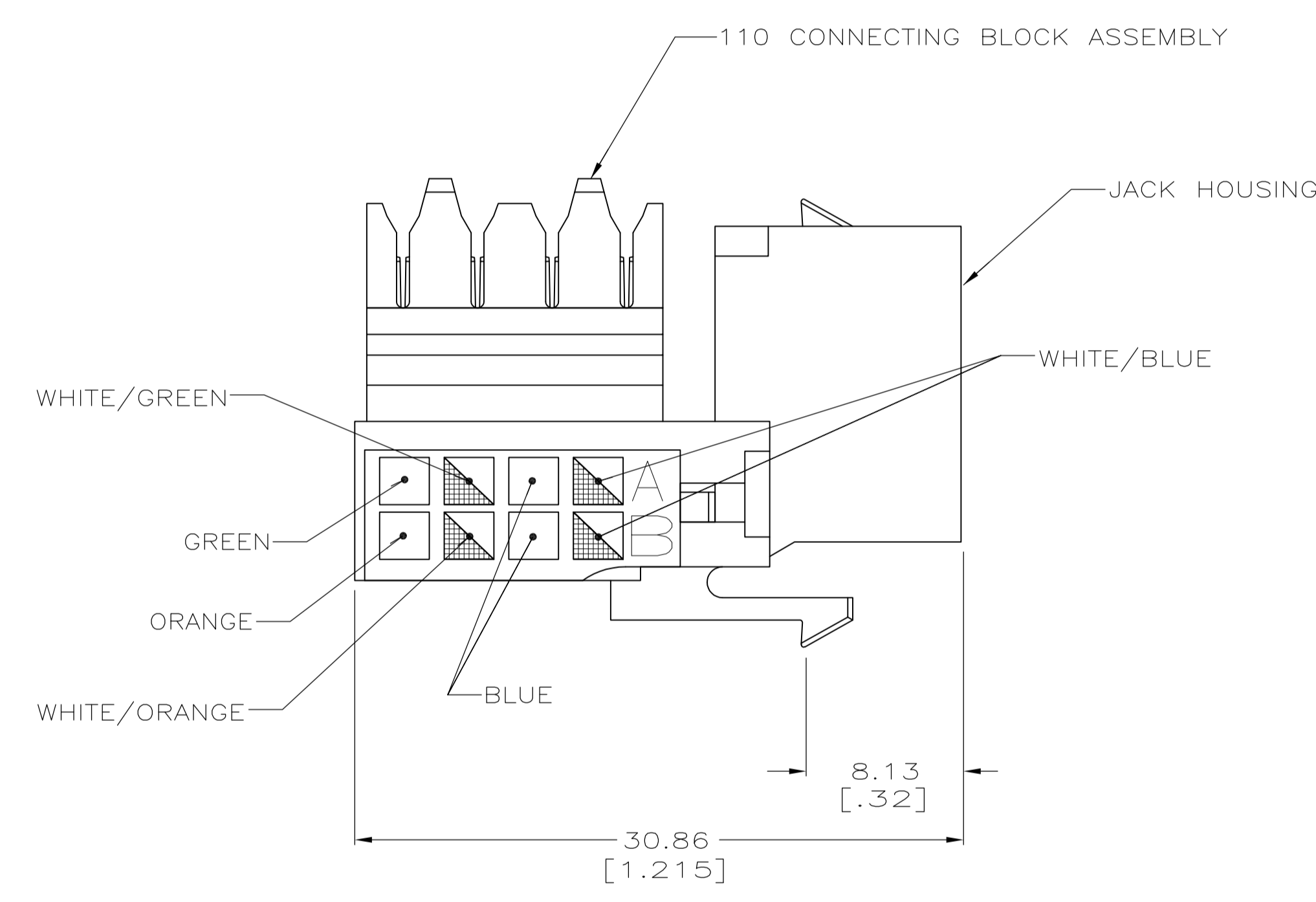


LOC	DIST	REVISIONS				
		REV	DESCRIPTION	DATE	BY	APPV
HM	00	G1	REVISED PER ECO-11-005033	21MAR11	RK	HMR
		G2	ADD 1/3, REV ECO-11-011931	10JUN2011	LH	SA



- 1. MATERIAL: HOUSING - POLYCARBONATE, 94V-0 RATED. SEE TABLE FOR COLOR. JACK CONTACTS - PHOSPHOROUS BRONZE, PLATED WITH 1.27μm [.000050] MINIMUM THICK GOLD IN LOCALIZED AREA AND 3.81μm [.000150] MINIMUM THICK MATTE TIN IN SOLDER AREA OVER 1.27μm [.000050] MINIMUM THICK NICKEL UNDERPLATE.
- 2. 110 BLOCK WILL TERMINATE 22-26 AWG SOLID OR 7 STRAND CONDUCTORS, 1.27 [.050] MAXIMUM INSULATION DIAMETER.
- 3. MOUNTING PANEL THICKNESS 1.473 - 1.600 [.058 - .063].
- 4. ONE MODULAR JACK ASSEMBLY PER POLYBAG.
- 5. CAVITY CONFORMS TO FCC RULES AND REGULATIONS PART 68 SUBPART F REQUIREMENTS.
- 6. THESE TWO SUGGESTED CUTOUT OPENINGS ARE USED IN TANDEM WITH DUAL FRONT AND BACK CUTOUTS.
- 7. TWENTY FIVE MODULAR JACK ASSEMBLIES PER POLYBAG.



PACKAGED	HOUSING COLOR	PART NUMBER
7	ALPINE WHITE	3-406372-3
	ELECTRIC IVORY	3-406372-1
	VIOLET	3-406372-0
	GREEN	2-406372-9
	YELLOW	2-406372-8
	RED	2-406372-7
	BLUE	2-406372-6
	ORANGE	2-406372-5
	NEMA GRAY	2-406372-4
	WHITE	2-406372-3
4	BLACK	2-406372-2
	LIGHT ALMOND	2-406372-1
	ALPINE WHITE	1-406372-3
	ELECTRIC IVORY	1-406372-1
	VIOLET	1-406372-0
	GREEN	406372-9
	YELLOW	406372-8
	RED	406372-7
	BLUE	406372-6
	ORANGE	406372-5
NEMA GRAY	406372-4	
WHITE	406372-3	
BLACK	406372-2	
LIGHT ALMOND	406372-1	

THIS DRAWING IS A CONTROLLED DOCUMENT.

DL DRUMMOND 25 NOV 96
T WOOTEN 09 JAN 97
G ROWMAN 09 JAN 97

TE Connectivity

110 MODULAR JACK ASSEMBLY, RJ45, ENHANCED CAT5, UNIVERSAL

108-1389
408-3389

SIZE: A1
SCALE: 4:1
SHEET: 1 OF 1
REV: G2